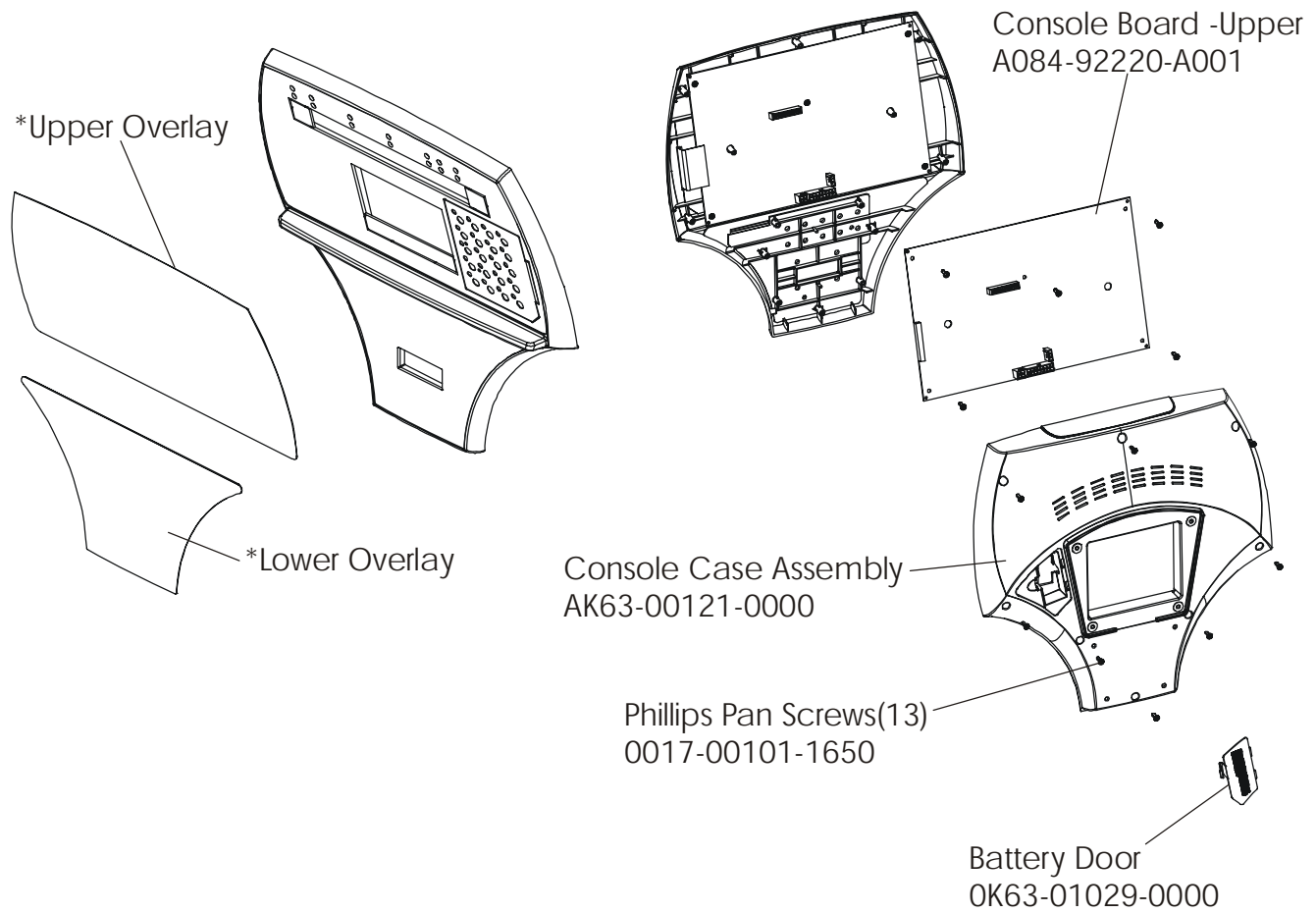


Manuals	Part No.
Operation	M051-00K20-A347
Service	M051-00K39-A012

**LifeCycle Recumbent Bike - Model LC91R-XXXX-30 S/N CEG100001**  
**Console Overlay Bezel Assembly**

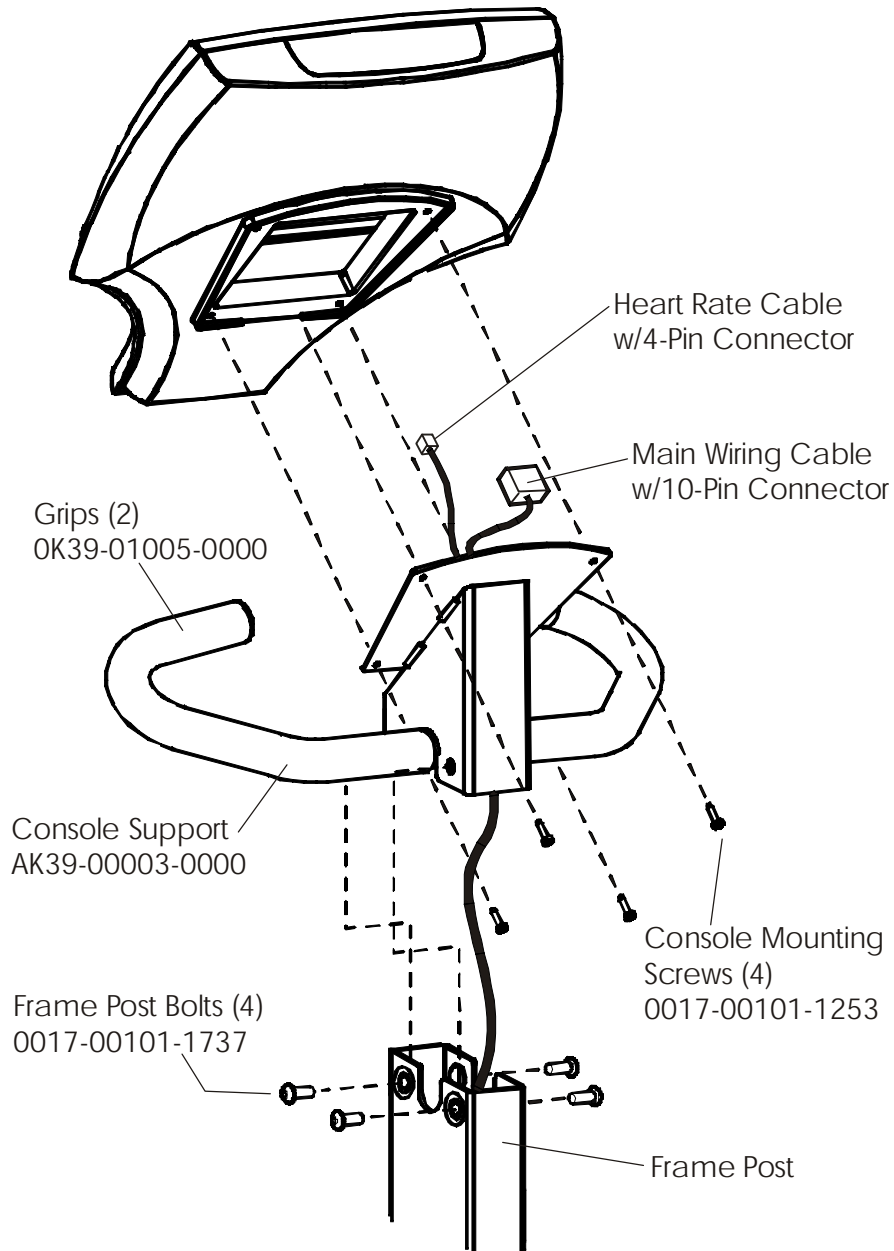


\*Included in "Overlay Bezel".  
 Console Assembly AK39-57-XXX includes all parts above.

Language	Part Nos.	
	Console Assembly	Overlay Bezel
Eng Met	AK39-00057-0001	AK63-00079-0001
Ger Met	AK39-00057-0003	AK63-00079-0003
Spn Met	AK39-00057-0004	AK63-00079-0004
Jap Met	AK39-00057-0006	AK63-00079-0006
Frn Met	AK39-00057-0007	AK63-00079-0007
Itl Met	AK39-00057-0008	AK63-00079-0008
Dut Met	AK39-00057-0009	AK63-00079-0009
Por Met	AK39-00057-0010	AK63-00079-0010

**LifeCycle Recumbent Bike - Model LC91R-XXXX-30 S/N CEG100001**  
**Console Support Assembly**

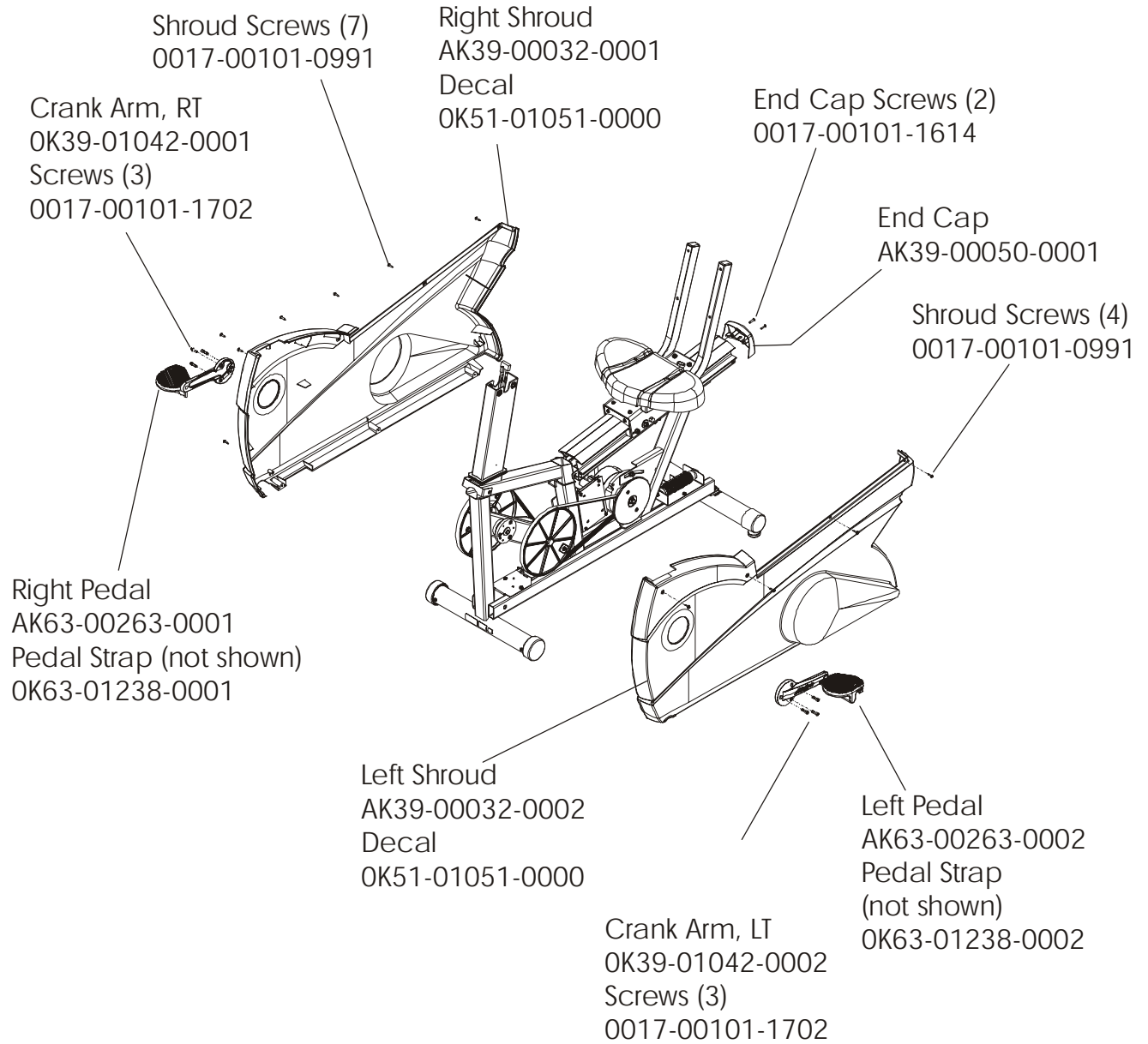
---



# LifeCycle Recumbent Bike - Model LC91R-XXXX-30 S/N CEG100001

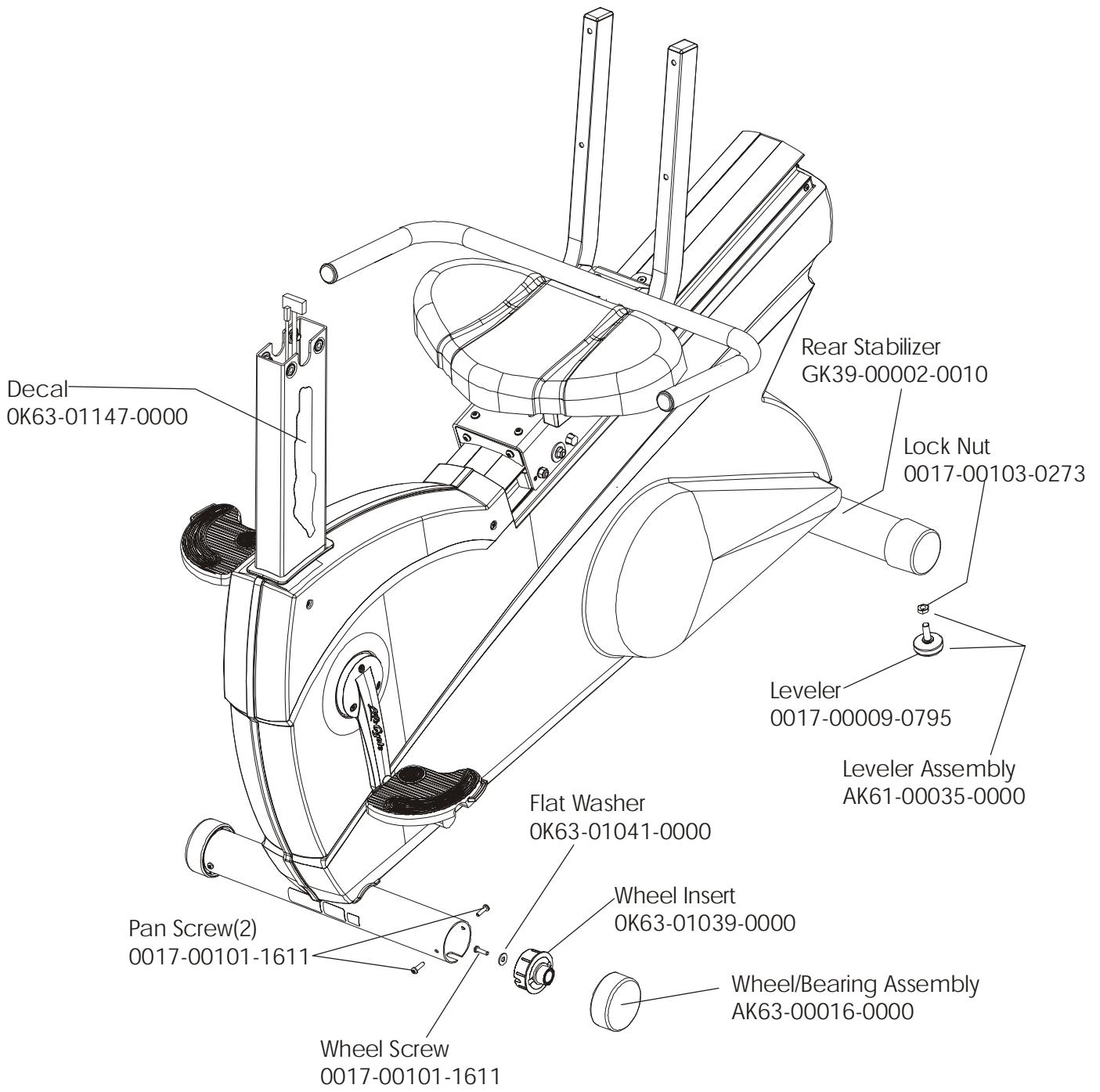
## Shrouds, End Cap, and Pedals

---



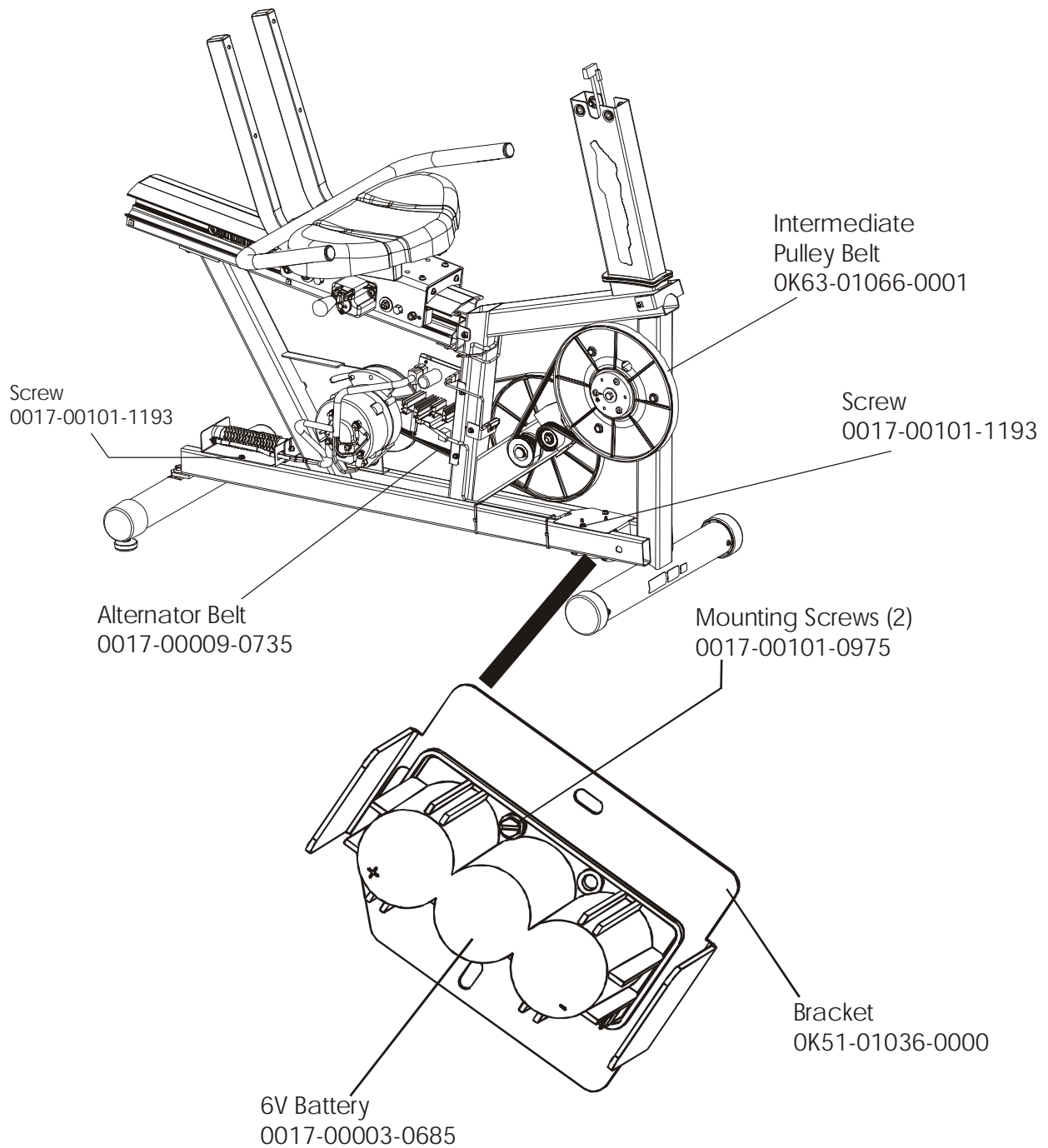
# LifeCycle Recumbent Bike - Model LC91R-XXXX-30 S/N CEG100001

## Wheels and Levelers



**LifeCycle Recumbent Bike - Model LC91R-XXXX-30 S/N CEG100001**  
**Belts and 6V Battery**

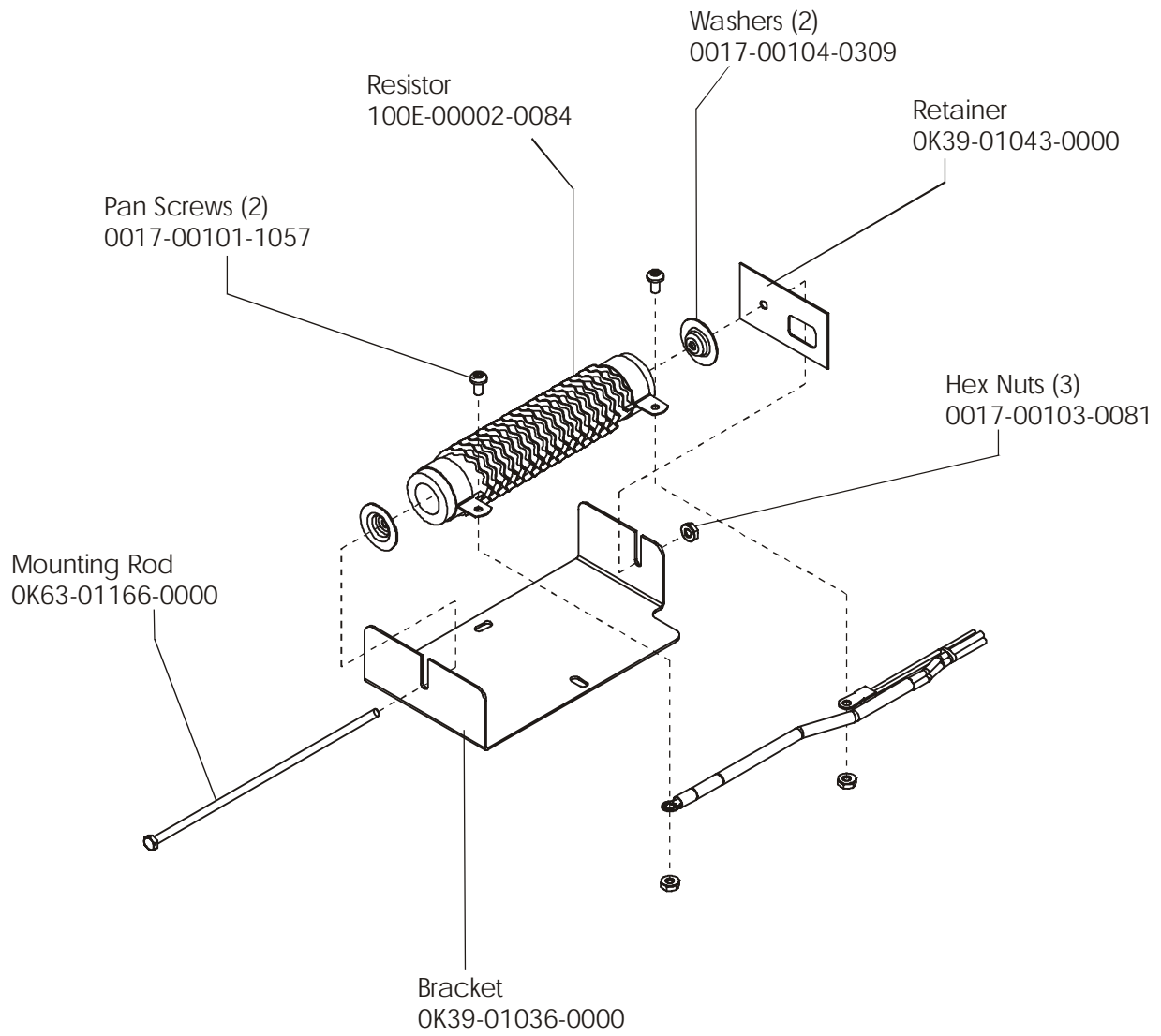
---



# LifeCycle Recumbent Bike - Model LC91R-XXXX-30 S/N CEG100001

## Resistor Assembly

---

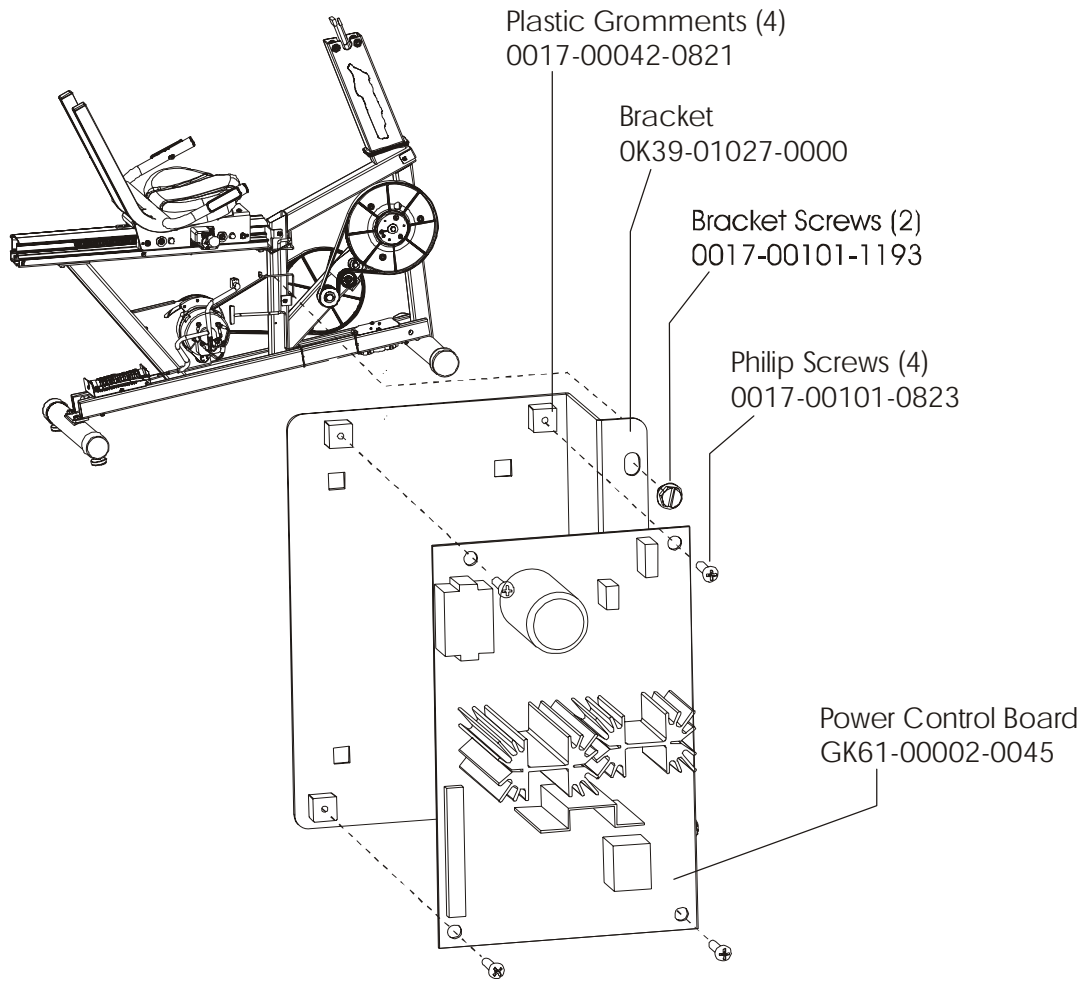


# LifeCycle Recumbent Bike - Model LC91R-XXXX-30 S/N CEG100001

## Power Control Board

---

Power Control Board Assembly AK39-00022-0001 includes all parts shown.



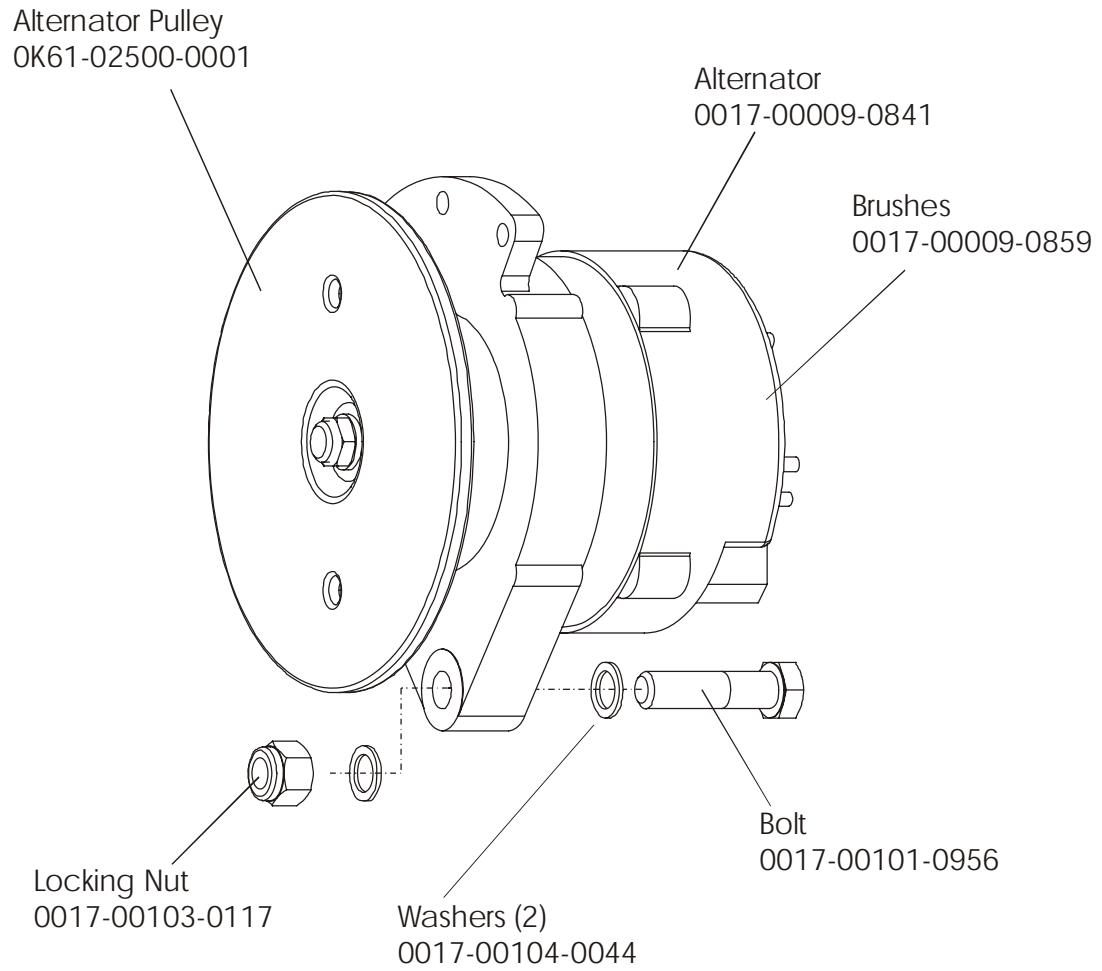


# LifeCycle Recumbent Bike - Model LC91R-XXXX-30 S/N CEG100001

## Alternator w/Pulley Assembly

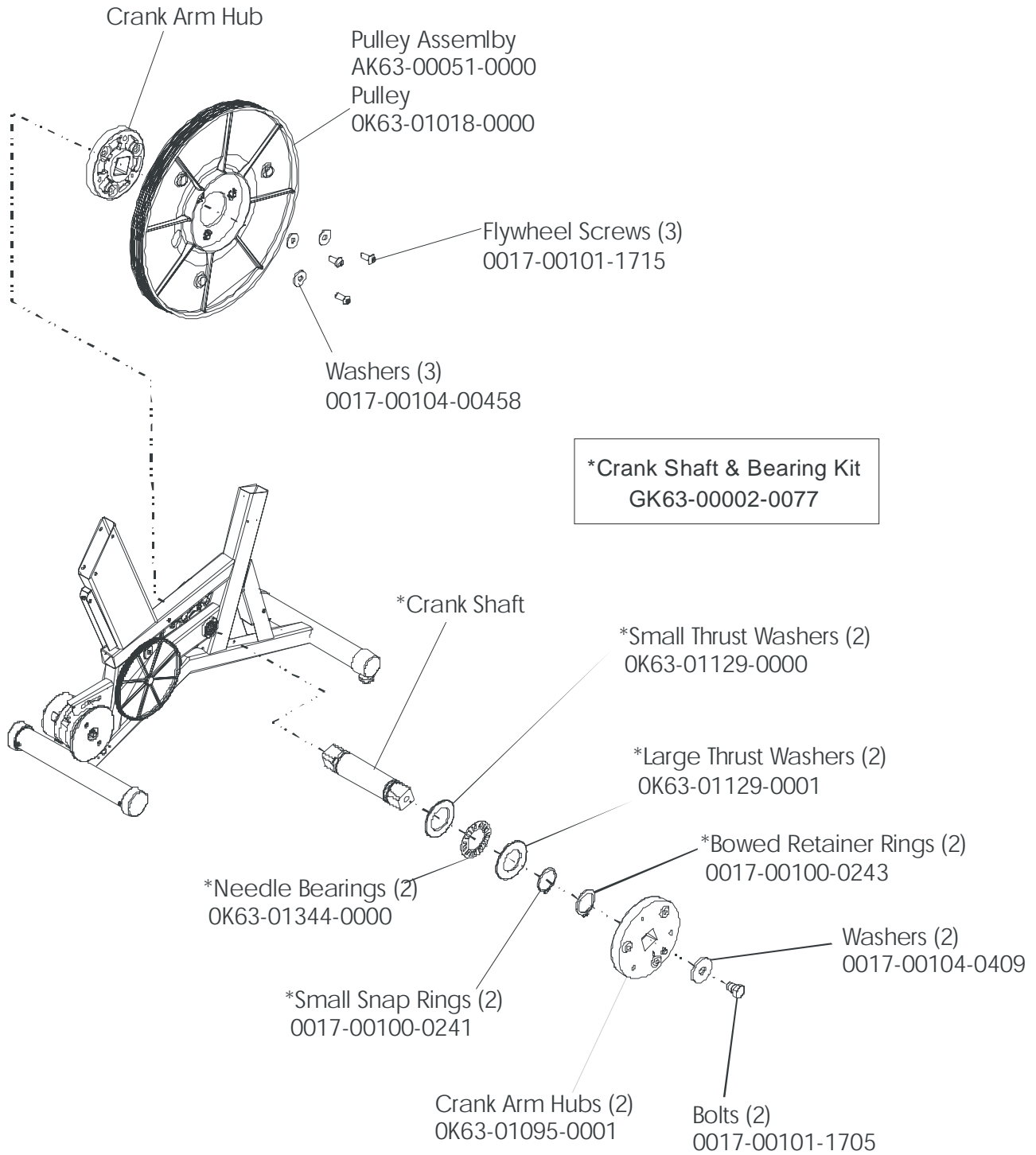
---

Alternator w/Pulley Assembly AK63-00093-0000 includes all parts shown.



# LifeCycle Recumbent Bike - Model LC91R-XXXX-30 S/N CEG100001

## Crank Shaft and Bearing Assembly

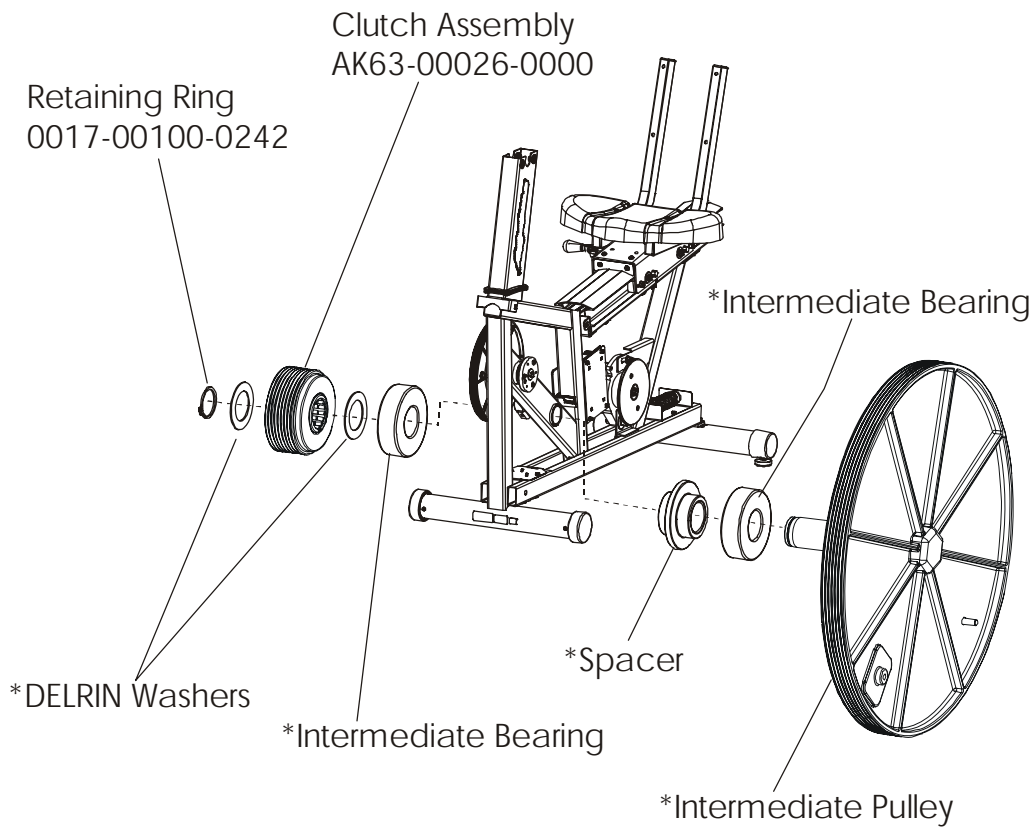


# LifeCycle Recumbent Bike - Model LC91R-XXXX-30 S/N CEG100001

## Intermediate Shaft and Bearing Assembly

---

Intermediate Shaft and Bearing Assembly Kit GK63-00002-0007 includes all parts above.  
\*Items with asterisks are not available separately.

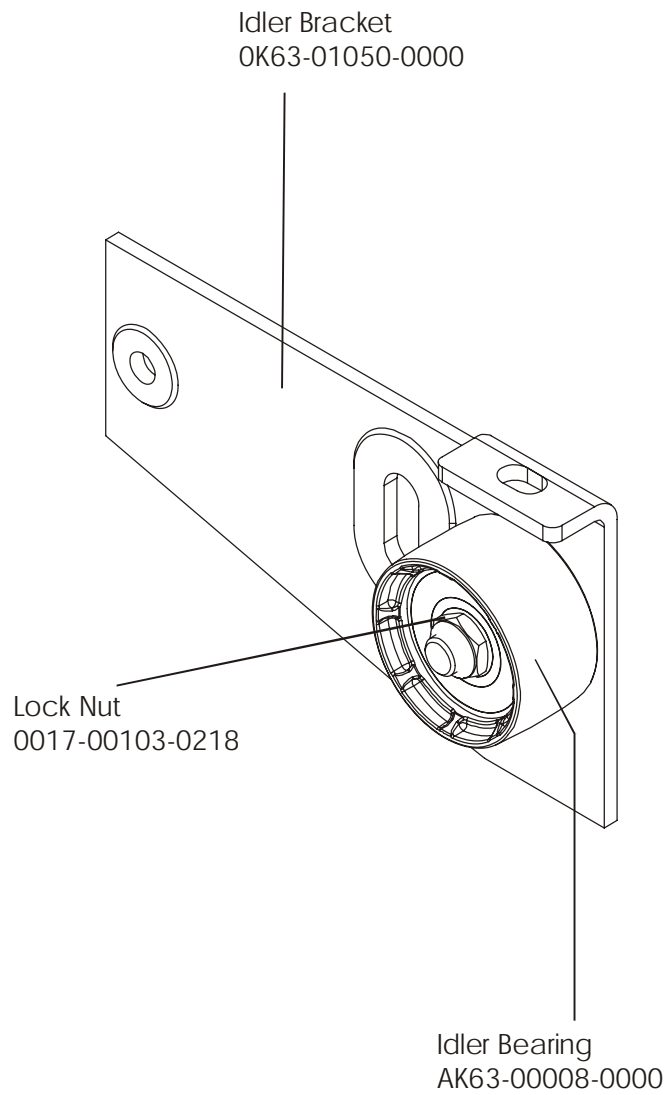


# LifeCycle Recumbent Bike - Model LC91R-XXXX-30 S/N CEG100001

## Idler Bracket Assembly

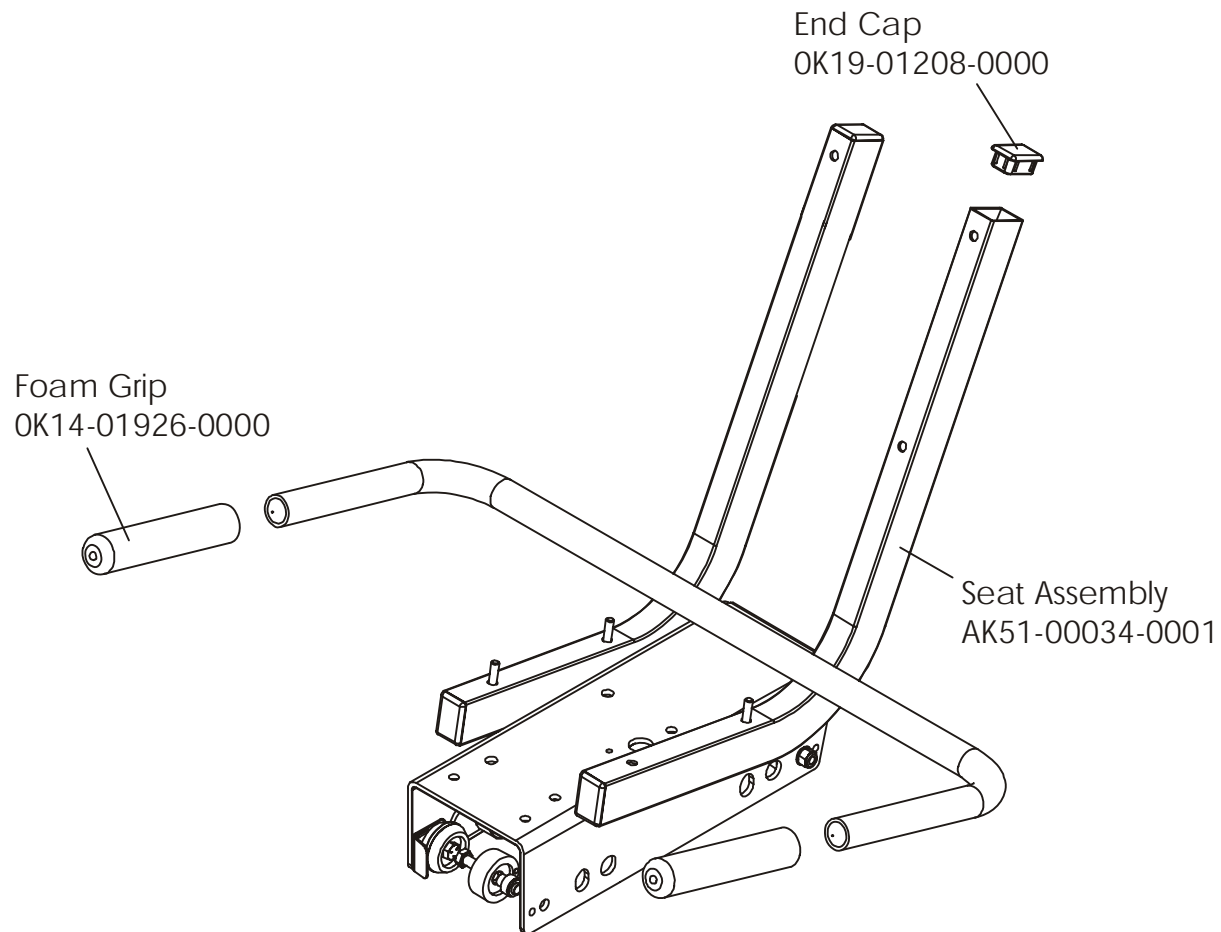
---

Idler Bracket Assembly AK63-00021-0000 includes all parts shown.

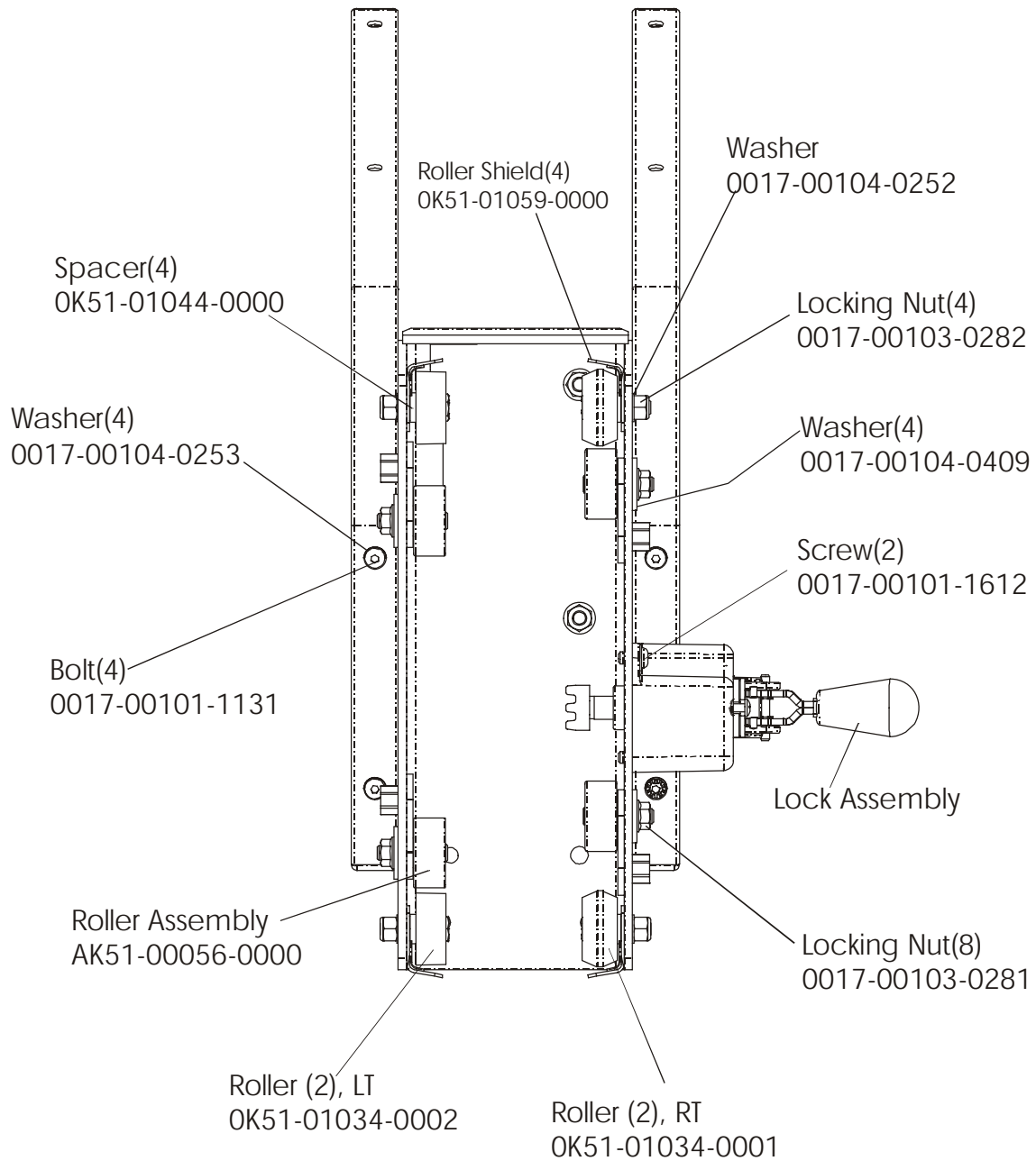


**LifeCycle Recumbent Bike - Model LC91R-XXXX-30 S/N CEG100001**  
**Seat Assembly**

---

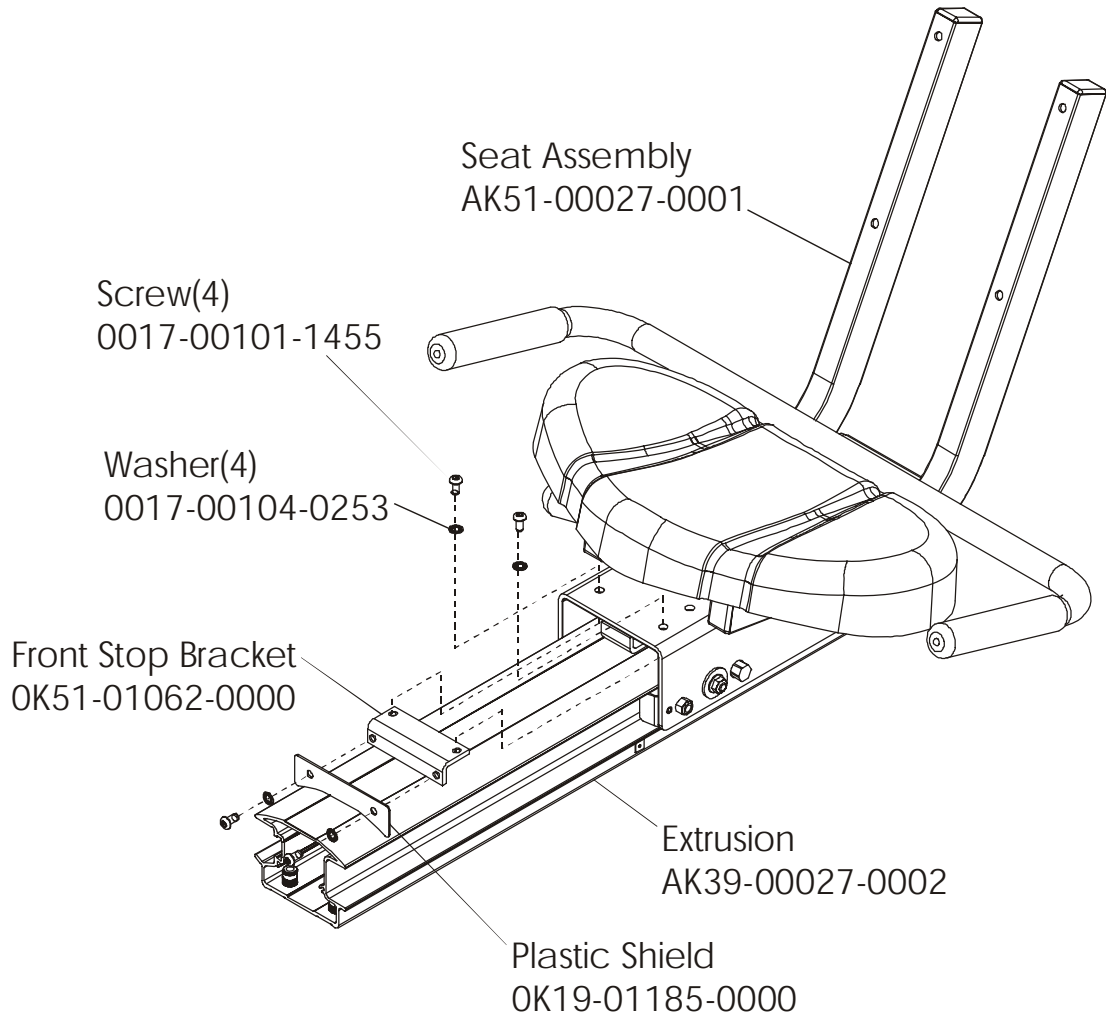


**LifeCycle Recumbent Bike - Model LC91R-XXXX-30 S/N CEG100001**  
**Seat Assembly - Bottom**



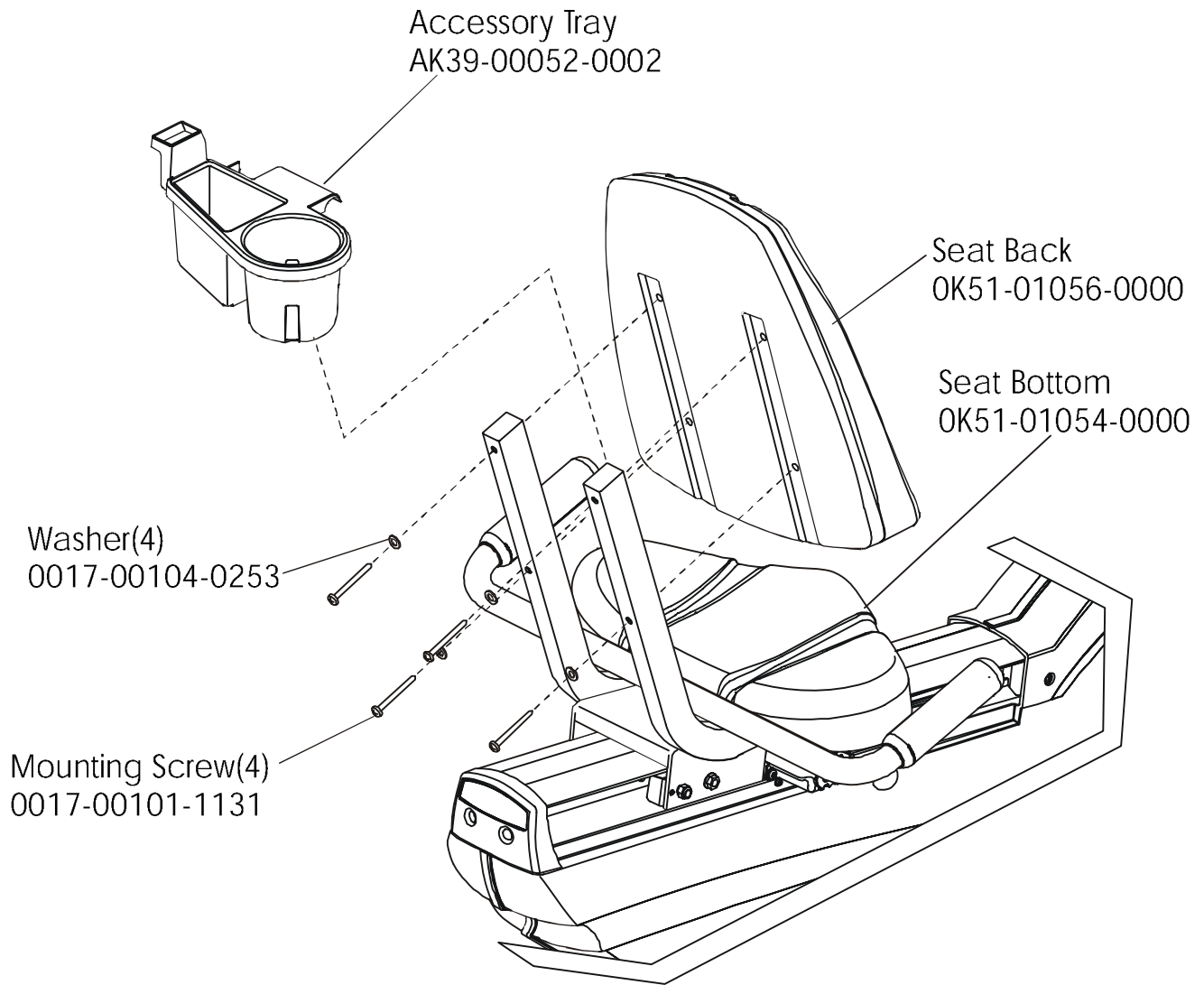
**LifeCycle Recumbent Bike - Model LC91R-XXXX-30 S/N CEG100001**  
**Seat Frame Assembly**

---



**LifeCycle Recumbent Bike - Model LC91R-XXXX-30 S/N CEG100001**  
**Seat Pads and Accessory Tray**

---

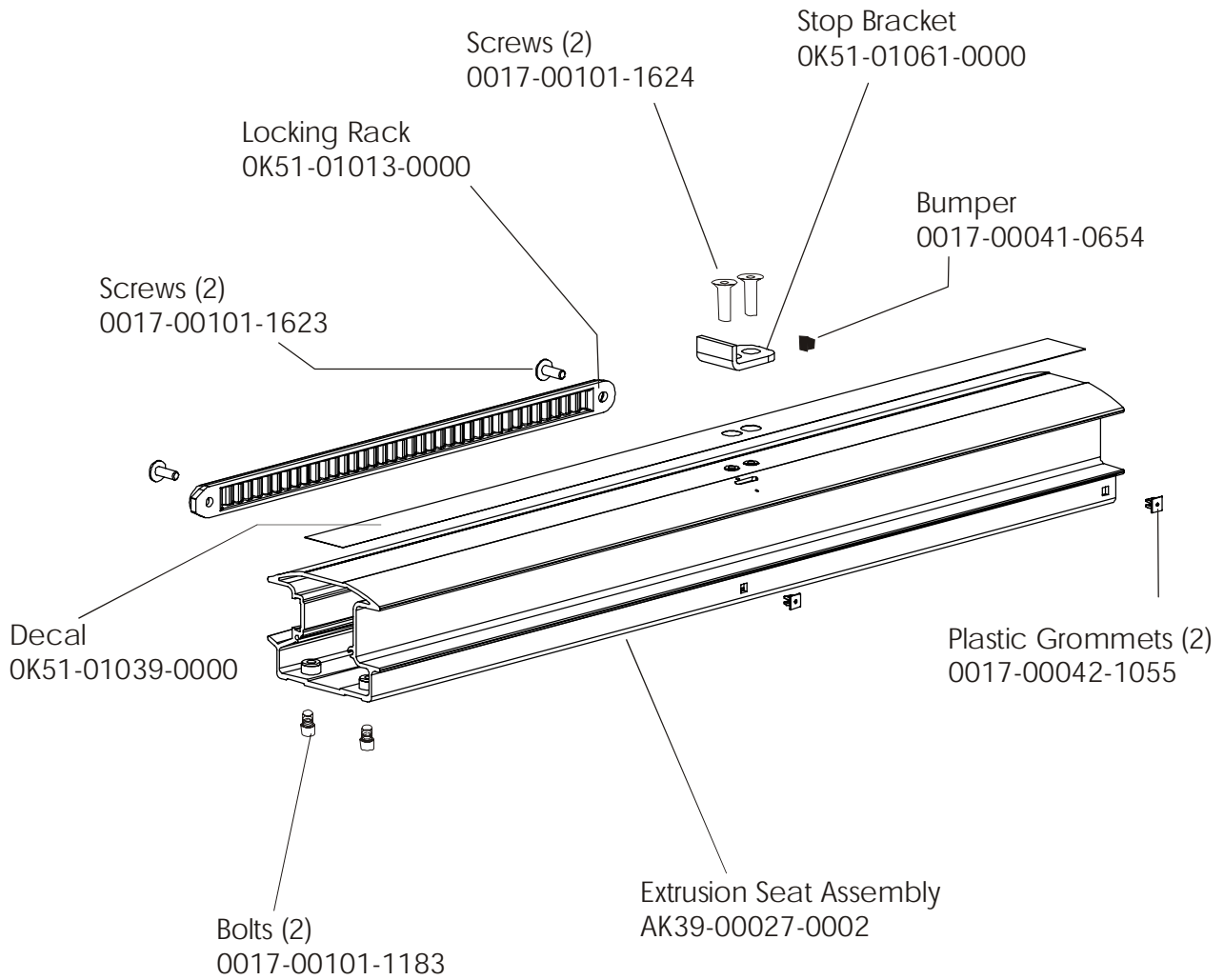




# LifeCycle Recumbent Bike - Model LC91R-XXXX-30 S/N CEG100001

## Extrusion Assembly

---

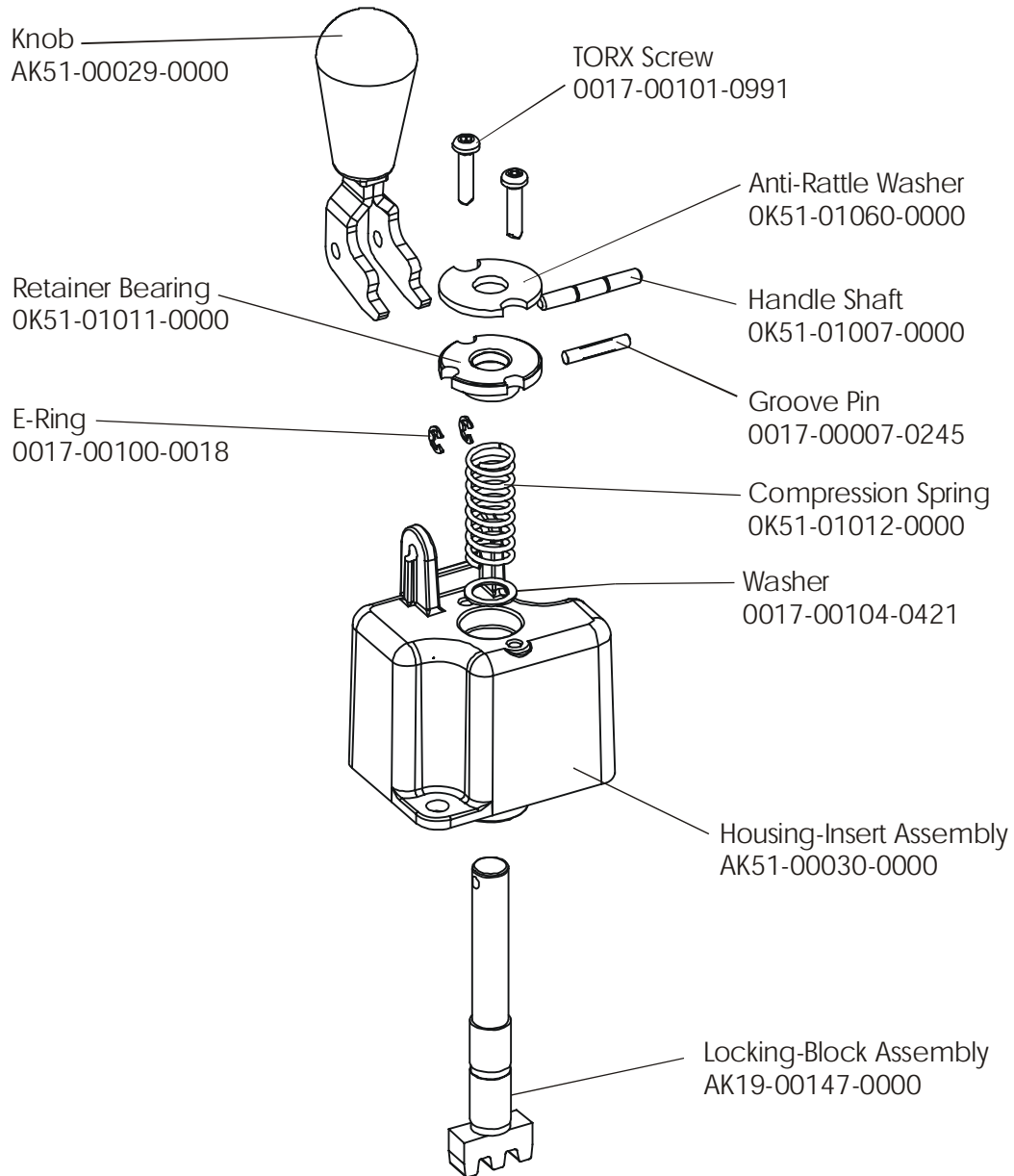


# LifeCycle Recumbent Bike - Model LC91R-XXXX-30 S/N CEG100001

## Lock Assembly

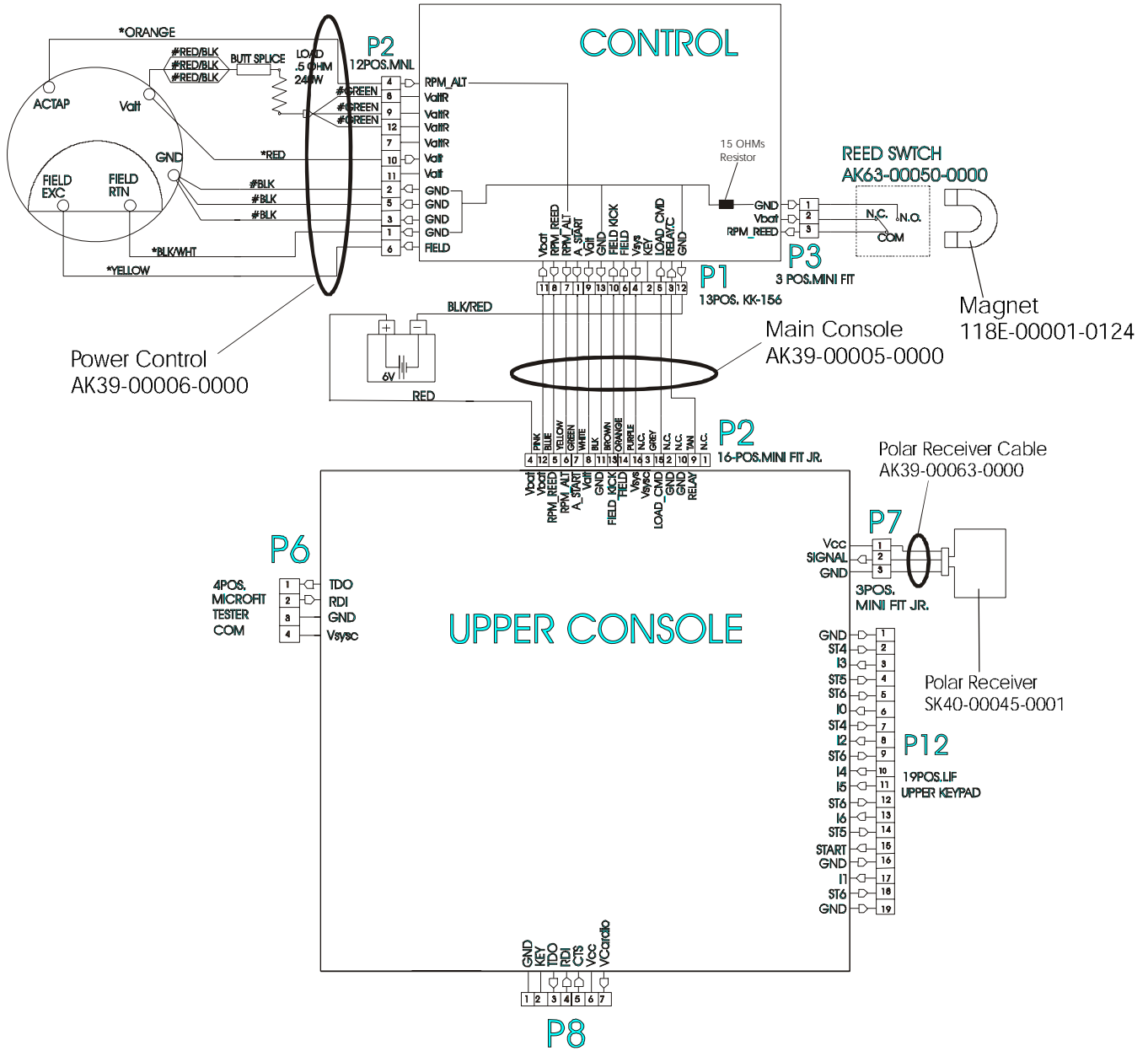
---

Lock Assembly AK51-00053-0000 includes all parts shown.



# LifeCycle Recumbent Bike - Model LC91R-XXXX-30 S/N CEG100001

## Cable – Electrical Schematic



Description		Part No.
Network Kit		GK63-00002-0003
Polar Transmitter	Medium	AK40-00045-0002
	Extra Small	AK40-00045-0003
	Extra Large	AK40-00045-0004